

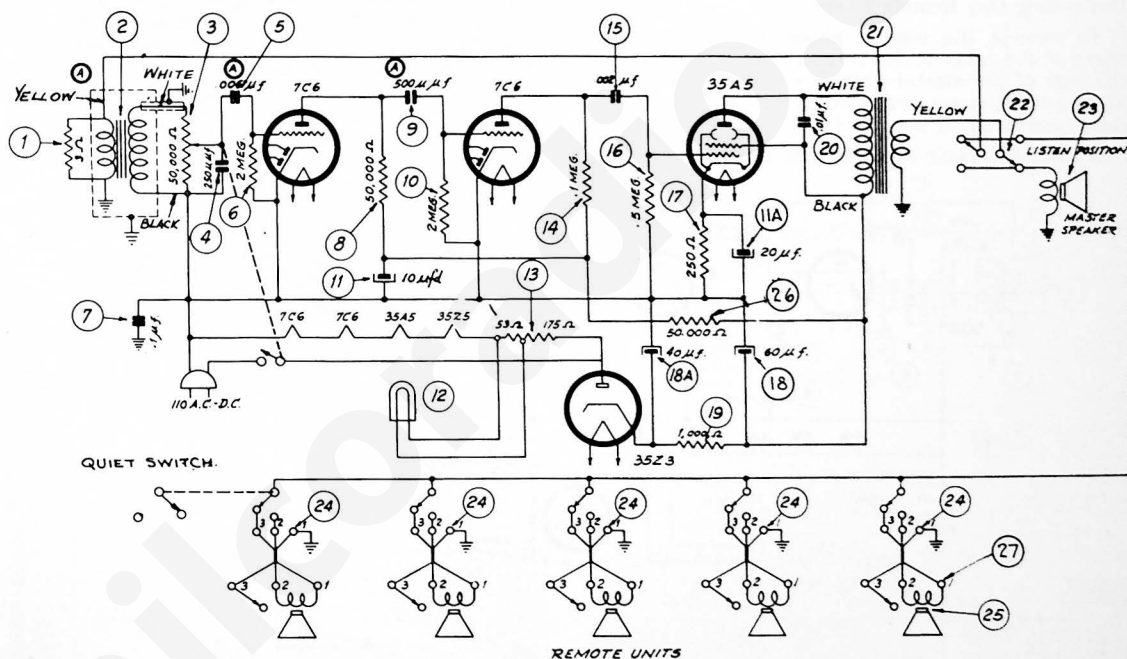
# PHILCOPHONE MODELS 908 AND 909

The new Model 908 Philcophone is an improved efficient system for voice communication between a central point and one or more remote points. The 908 operates on 115 volts A. C. or D. C. power supply. The power consumption is 20 watts.

Up to five remote stations can be used in connection with one master unit. A three-wire cable connects between the master unit and each of the remote units. Fifty feet of this cable is supplied with each remote unit. By observing the remote speaker connections in the wiring diagram below, it will be seen that the wiring from the master unit out to the remotes can be common to a large extent. In other words, if it will facilitate wiring, it is possible to make connections

between the remote speakers and the master through a total of two wires more than the number of remote speakers being used. If five remotes are being employed, it is only necessary to actually run seven wires to the master unit. Additional three-wire cable is available in 50-foot lengths (Part No. L-3278) list price, \$2.00, and in 100-foot lengths (Part No. L-3283) list price, \$3.75.

Interference which is picked up on the A. C. power line can be corrected by installing a Philco choke type filter, Part No. 45-2217, in the power line at the master control unit. This choke will eliminate all interference pickup which is coming into the unit over the power line.



WIRING DIAGRAM PHILCOPHONE MODEL 908

## Replacement Parts — Models 908, 909

SCHEM. No.	DESCRIPTION	PART No.	SCHEM. No.	DESCRIPTION	PART No.	SCHEM. No.	DESCRIPTION	PART No.
1	Resistor (3 ohms) .....	33-930356	10	Resistor (2 megohms) .....	33-520339	19	Resistor (1000 ohms, 2 watts)...	33-210539
2	Input Transformer .....	32-3626	11	Electrolytic Condenser (10-20 mfd.) .....	30-2453	20	Condenser (.01 mfd.) .....	30-4572
3	Volume Control & Power Switch .....	33-5431	12	Pilot Lamp .....	Part of 11	21	Output Transformer .....	32-3602
4	Mica Condenser (250 mmfd.) .....	60-125157	13	Filament Resistor (53,175 ohms) .....	33-3367	22	Talk-Listen Switch .....	42-1638
5	Tubular Condenser (.006 mfd.) Later production .....	30-4445	14	Resistor (.1 megohm) .....	33-410339	23	Cone Assembly (For 30-1536-2 Speaker) .....	36-4194
	(.001 mfd.) Early production .....	30-4592	15	Condenser (.002 mfd., 400 volts) .....	30-4579	24	Push Button Switch .....	42-1637
6	Resistor (2 megohms) .....	33-520339	16	Resistor (.5 megohms) .....	33-450339	25	Cone Assembly (Remote Speaker 30-1532-2) .....	36-4193
7	Condenser (.1 mfd., 400 volts) .....	30-4572	17	Resistor (250 ohms, 1 watt) .....	33-125438	26	Resistor (50,000 ohms, 1 watt) .....	33-350439
8	Resistor (50,000 ohms, 1 watt) .....	33-350439	18	Electrolytic Condenser (60-100 mfd.) .....	30-2449	27	Remote Speaker Call Switch .....	42-1639
9	Condenser (500 mmfd.) Later production .....	60-150157	18a	Electrolytic Condenser (40 mfd.) .....	Part of 18		Terminal Panel (Speakers) .....	76-1172
	(.002 mfd.) Early production .....	30-4579						